

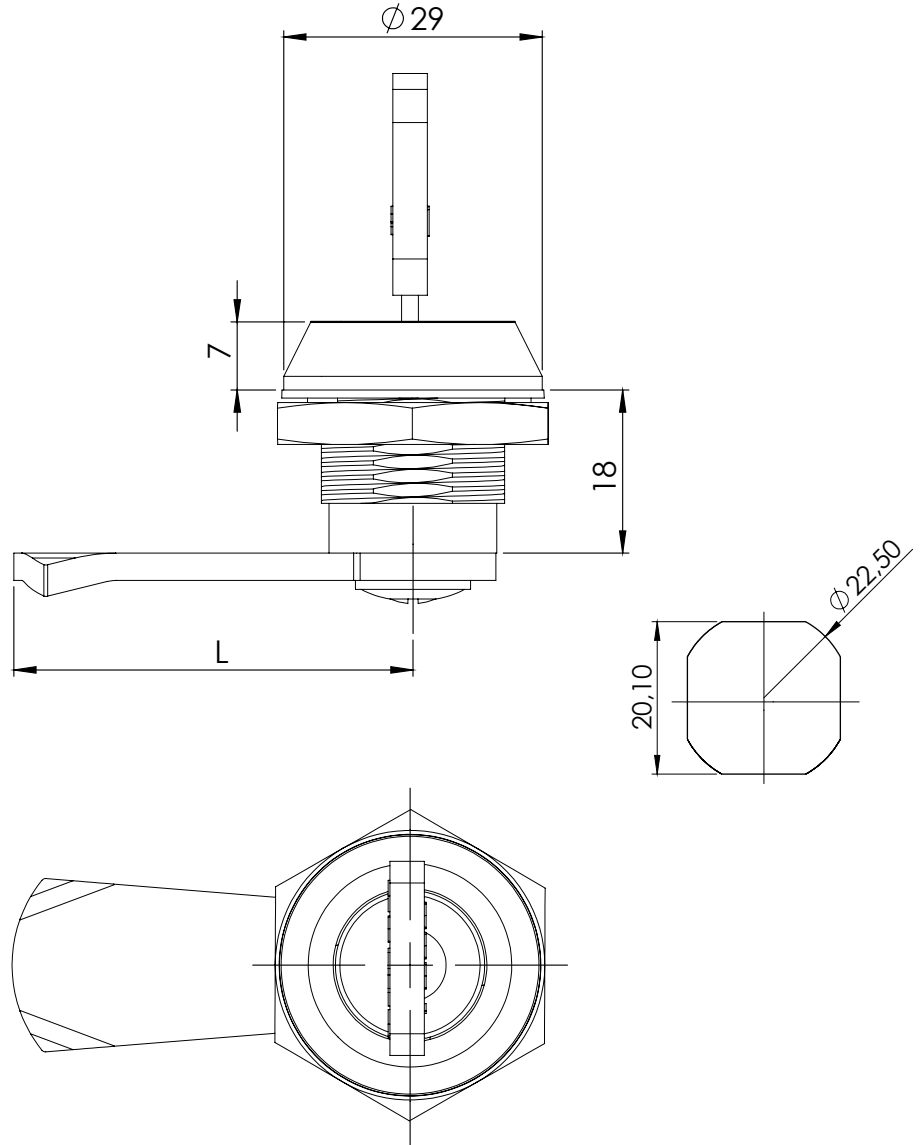
SİLİNDİRLİ PANO KİLİTLERİ

CAM LOCKS

242

Silindirli Pano Kilidi / Cam Lock

IP65



KULLANIM ALANLARI:

Elektrik Panoları, Makine Kapakları

APPLICATIONS:

Electric Panels, Machinery Covers

Kod Code: 242
Kovan Housing: M, F
Barel Cylinder: CC
Dil Cam: CM

Yüzey / Finishing
Malzeme / Material

MALZEME / MATERIAL	
KOVAN HOUSING	Zamak veya Poliamid Zinc Die or Polyamide
BAREL CYLINDER	Zamak Zinc Die
SOMUN NUT	Zamak Zinc Die
DİL CAM	Çelik Steel

YÜZEY / FINISHING	CODE
Krom Kaplama / Chrome Plated	1
Siyah Toz Boya / Black Powder Coated	2
Ral 7032 / Ral 7032	4
Ral 7035 / Ral 7035	5
Ral 9005 Siyah / Ral 9005 Black	6

MALZEME / MATERIAL	CODE
Zamak / Zinc Die	1
Plastik / Polyamide	2

İSP. TIRNAKSIZ DİLLER / WITHOUT STOPPER CAMS FOR ROD CONTROL (CM)						
CODE	03	020	053	054	055	064
H	8	0	0	12	4	0
L	49	51	60	54	52	55

FİŞELİ BAREL / CYLINDER TYPE (CC)		CODE
Aynı Şifre (Birbirini Açar) - Keyed Alike		01
Farklı Şifre / Keyed Different		02
Eurokey (1333)		03

TIRNAKSIZ DİLLER / CAMS WITHOUT STOPPER (CM)														
CODE	01	02	05	06	07	08	09	010	019	043	045	046	086	
H	14	24	0	16	6	12	0	7	0	0	4	10	6	
L	48	48	46	46	52	50	54	44	64	44	43	48	62	