

YAYLI PANO KİLİTLERİ

QUARTER TURN CAM LOCKS

258

Klips Geçmeli Kilit / Snap Type Lock

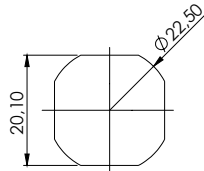
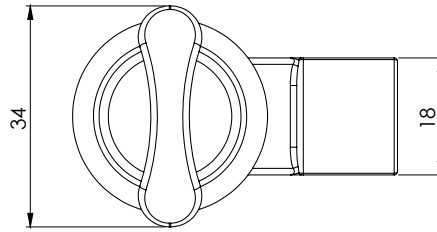
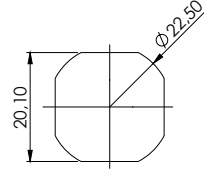
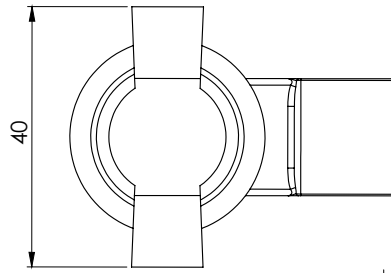
VERSION

V2



VERSION

V3

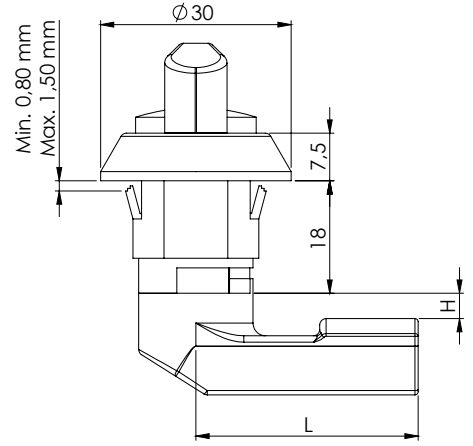
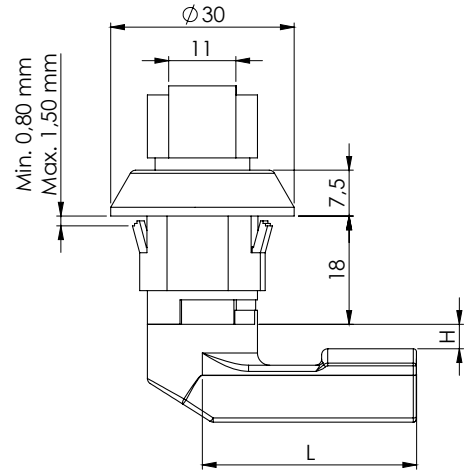


DİLLER / CAMS (CM)

CODE	027
H	4
L	35

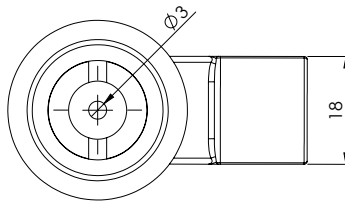
Kod Code
258

Version
V

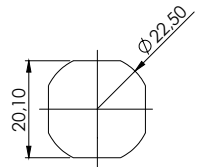
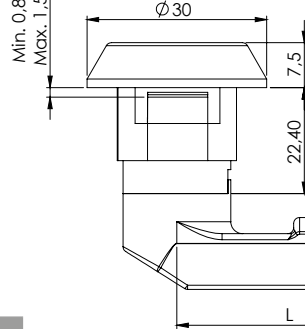


270-V

Klips Geçmeli Kilit / Snap Type Lock



Min. 0,80 mm
Max. 1,50 mm



YÜZEY / FINISHING

CODE

Ral 7032 / Ral 7032	4
Ral 7035 / Ral 7035	5
Ral 9005 Siyah / Ral 9005 Black	6

DİLLER / CAMS (CM)

CODE	027
H	4
L	35

Kod Code
270-V

Yüzey Finishing
F

KULLANIM ALANLARI:
Elektrik Panoları, Makine Kapakları

APPLICATIONS:
Electric Panels, Machinery Covers

MALZEME / MATERIAL

GÖVDE
BODY Poliamid
Polyamide

BAREL / CYLINDER (CC)

3 mm / DB		5 mm / DB		9 mm Üçgen/Triangle		6 mm Allen	
10		11		18		29	
6 mm Kare/Square		7 mm Kare/Square		8 mm Kare/Square		8 mm Allen	
21		22		23		40	