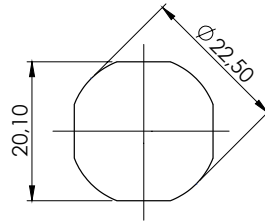
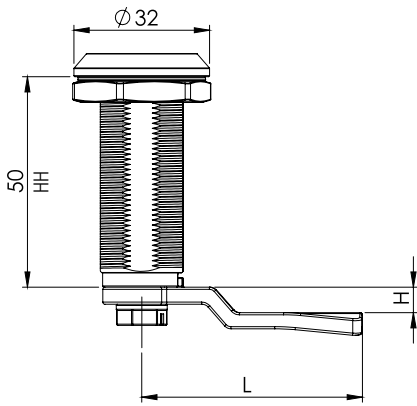
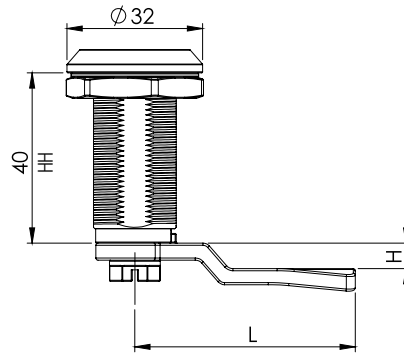
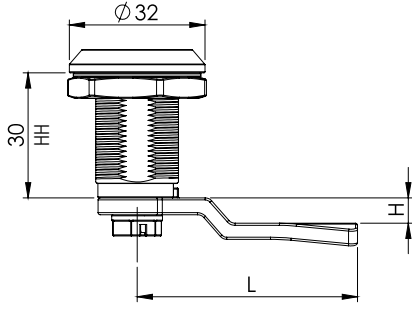


IP65

Yaylı Pano Kilidi / Quarter Turn Cam Locks

234



HH	30	40	50
----	----	----	----

Kod Code	Kovan Yüksekliği Housing Height	Yüzey Finishing	Göbek Insert	Dil Cam
234	HH	F	CC	CM

GÖBEK / INSERT (CC)

11	5 mm / DB	
18	9 mm Üçgen / Triangle	
23	8 mm Kare / Square	

For 30-35 and 40 mm

YÜZEY / FINISHING

Krom Kaplama / Chrome Plated	1
Siyah Toz Boya / Black Powder Coated	2

İSP. TIRNAKLI DİLLER / CAMS FOR ROD CONTROL (CM)

CODE	03	020	053	054	055	064
H	8	0	0	12	4	0
L	49	51	60	54	52	55

TIRNAKLI DİLLER / CAMS WITH STOPPER (CM)

CODE	01	02	05	06	07	08	09	010	012	018	019	043	045	046	047	052	059	060	061	086
H	14	24	0	16	6	12	0	7	-12	0	0	0	4	10	-4	-2	15	12	5	6
L	48	48	46	46	52	50	54	44	50	29	64	44	43	48	46	52	44	44	45	62

KULLANIM ALANLARI:

Elektrik Panoları, Makine Kapakları

APPLICATIONS:

Electric Panels, Machinery Covers

MALZEME / MATERIAL

KOVAN HOUSING	Zamak Zinc Die
GÖBEK INSERT	Zamak Zinc Die
SOMUN NUT	Zamak Zinc Die
DİL CAM	Çelik Steel